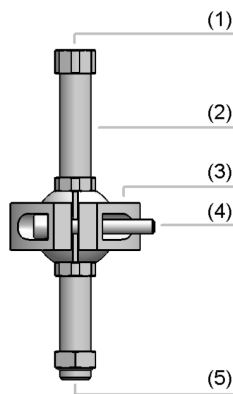


Universal Holders HTR-UNI

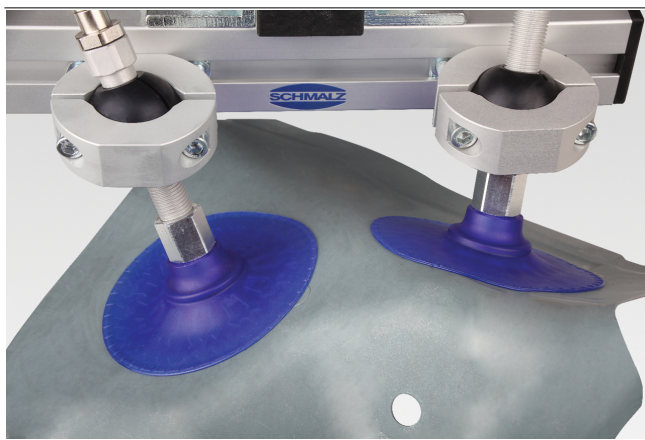
Connection G1/4"



Universal Holders HTR-UNI



System design Universal Holders HTR-UNI



Suction cups with universal holders HTR-UNI for handling sheet metal

Suitability for industry specific applications

Application

- Universal holder for mounting of vacuum components on existing cross beams made of square or round tubes with the aid of various adapters
- Adjustable height and inclination for flexible adaptation to workpieces

Design

- Holder made of high strength, anodized aluminum, consisting of holder tube (2), ball clamp (3) and various adapters for mounting of square and round tubes
- Threaded tube (5) has a G1/4" thread at the bottom for a suction cup and a G1/4" thread at the top (1) for connection of a vacuum line or an inline ejector
- Including securing screws (4)

Product highlights

- Simple adjustment and fixing allows flexible use, quick changes and short set-up times
- Adjustable height and inclination for optimum adaptation to workpieces, e.g. curved metal sheets
- Mounting on round and square tubes possible
- Quick and inexpensive assembly of gripping systems, as suction cups with G1/4" thread can be attached directly

Universal Holders HTR-UNI

Connection G1/4"

1 Designation code Universal Holders HTR-UNI

HTR-UNI	-	1N	-	G2	-	80
1		2		3		4

1 – Abbreviated designation

Code	Version
HTR-UNI	HTR-UNI

2 – Cross-beam connection

Code	Connection
1N	1 sliding block
2N	2 sliding blocks

3 – Connection

Code	Connection
G2	Connection thread G1/4-AG

4 – Length

Code	Length in mm
80...200	80 to 200

Holder HTR-UNI is delivered unassembled. The delivery consists of:

- Holder tube – available in various lengths
- Ball clamp – available in various versions

Available accessories: section adapter, tube adapter, tube adapter reducing set, suction cup connection

2 Ordering data Universal Holders HTR-UNI

Type	Part no.
HTR-UNI 1N G2 80	10.01.03.00107
HTR-UNI 2N G2 80	10.01.03.00223
HTR-UNI 2N G2 80	10.01.03.00298
HTR-UNI 2N G2 110	10.01.03.00328
HTR-UNI 2N G2 140	10.01.03.00299
HTR-UNI 2N G2 200	10.01.03.00309

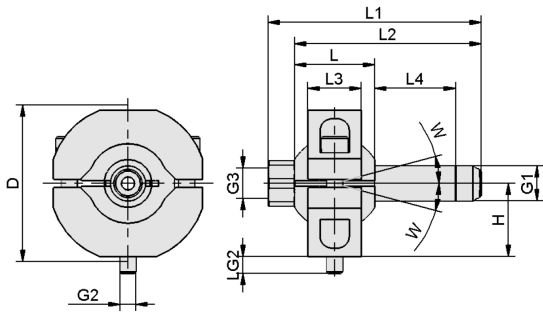
3 Ordering data Accessories Universal Holders HTR-UNI

Type		Part no.
Section adapter	HTR-STB 30x30 UNI	10.01.03.00135
Tube adapter	HTR-STC D32 UNI	10.01.03.00108
Tube adapter reducing set	BUCHSE 32-25x21 PA	10.01.03.00097
Suction cup connection	SAUG-ANB G1/4-AG 80	10.01.03.00292
Suction cup connection	SAUG-ANB G1/4-AG 110	10.01.03.00327
Suction cup connection	SAUG-ANB G1/4-AG 140	10.01.03.00291
Suction cup connection	SAUG-ANB G1/4-AG 200	10.01.03.00308

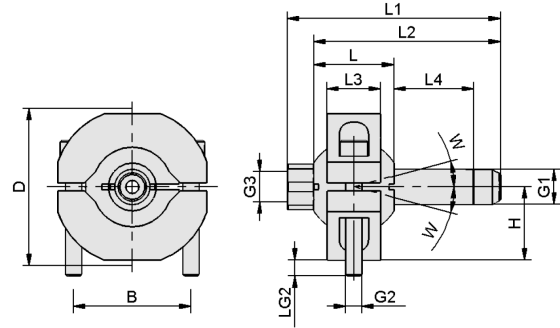
Universal Holders HTR-UNI

Connection G1/4"

Design data Universal Holders HTR-UNI



HTR-UNI 1N G2



HTR-UNI 2N G2

Universal Holders HTR-UNI

Connection G1/4"

 **Design data Universal Holders HTR-UNI**

Type	B [mm]	D [mm]	G1	G2		H [mm]	L [mm]	L1 [mm]	L2 [mm]	L3 [mm]	L4 [mm]	LG2 [mm]	W [°]
HTR-UNI 1N G2 80	-	59	G1/4"-M	M6-M	G1/4"-F	27.5	30	80	70	20	25	7	15
HTR-UNI 2N G2 80	44	59	G1/4"-M	M6-M	G1/4"-F	27.5	30	80	70	20	25	6	15
HTR-UNI 2N G2 80	44	59	G1/4"-M	M6-M	G1/4"-F	27.5	30	80	70	20	6	6	15
HTR-UNI 2N G2 110	44	59	G1/4"-M	M6-M	G1/4"-F	27.5	30	110	100	20	36	6	15
HTR-UNI 2N G2 140	44	59	G1/4"-M	M6-M	G1/4"-F	27.5	30	140	130	20	66	6	15
HTR-UNI 2N G2 200	44	59	G1/4"-M	M6-M	G1/4"-F	27.5	30	200	190	20	126	6	15